

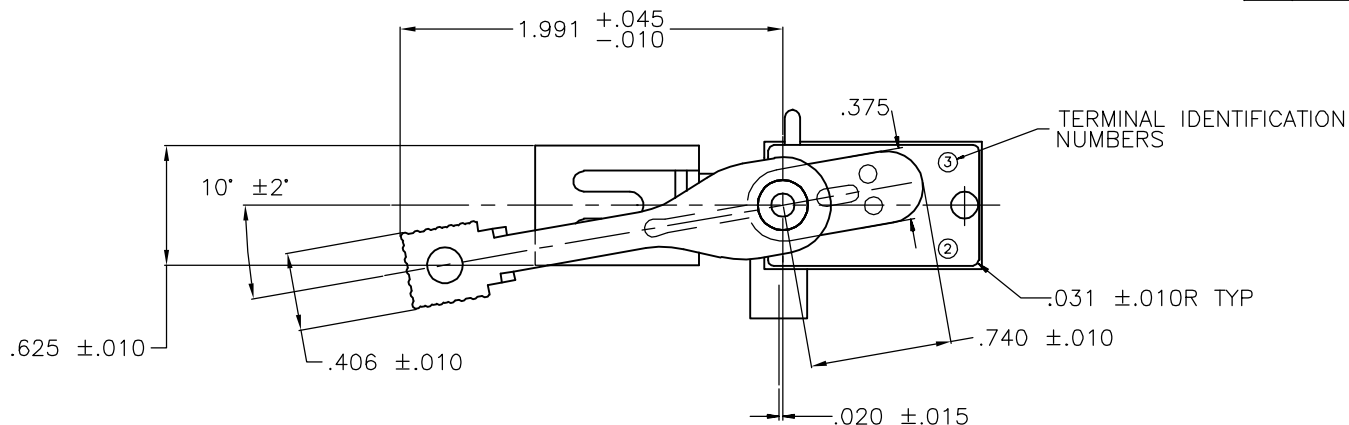
THIS DRAWING IS UNPUBLISHED. RELEASED FOR PUBLICATION

© COPYRIGHT BY TYCO ELECTRONICS CORPORATION. ALL RIGHTS RESERVED.

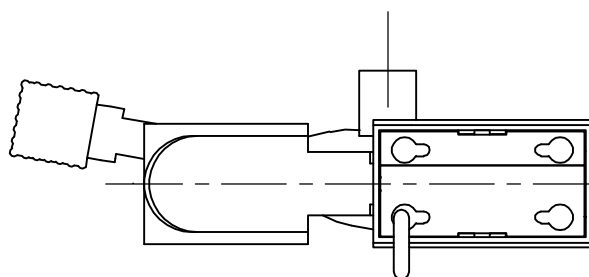
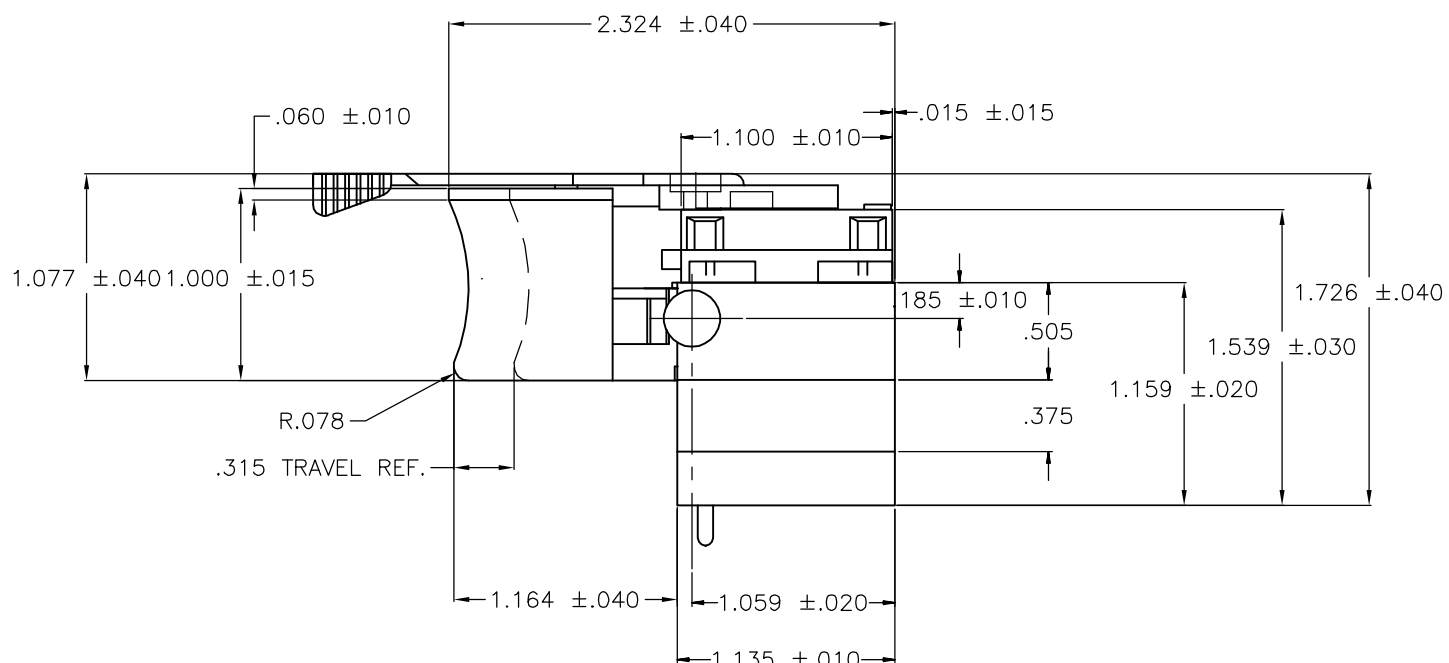
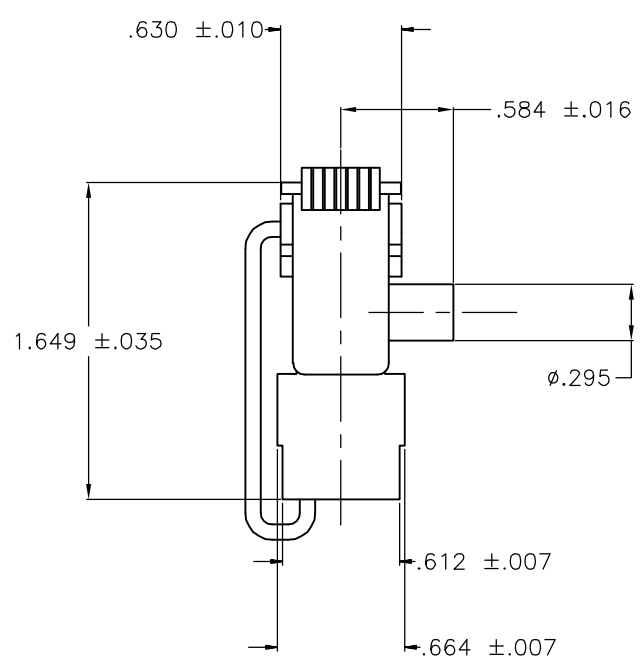
LOC AD DIST 00

REVISIONS

P	LTR	DESCRIPTION	DATE	DWN	APVD
	B	REVISED PER EC-0G3G-0005-05	27NOV06	GS	MG



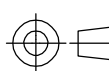
- PUSH-IN AND REVERSING SWITCH TERMINAL OPENINGS TO RECEIVE #18 OR #20 GA. STRANDED TINNED LEADS. PUSH-IN TERMINAL WIRE STRIPPED LENGTH TO BE .250 - .400. REVERSING SWITCH STRIPPED LENGTH TO BE .188 - .250.



91-867

THIS DRAWING IS A CONTROLLED DOCUMENT.

DIMENSIONS: INCHES



TOLERANCES UNLESS OTHERWISE SPECIFIED:

0 PLC	± -
1 PLC	± -
2 PLC	± -
3 PLC	± .005
4 PLC	± -
ANGLES	± 1'
FINISH	-

MATERIAL -

DWN C. DOBBS 14APR98

CHK W. LeonarD 14APR98

APVD J. HENDERSON 15APR98

PRODUCT SPEC -

APPLICATION SPEC -

WEIGHT -

CUSTOMER DRAWING



Tyco Electronics Corporation
Harrisburg, Pa 17105-3608

NAME
8907 SERIES - INLINE SWITCH WITH DUMMY BUSHING
6A 125VAC DOUBLE POLE SINGLE THROW
Z-SPRING / D-PAK CONSTRUCTION

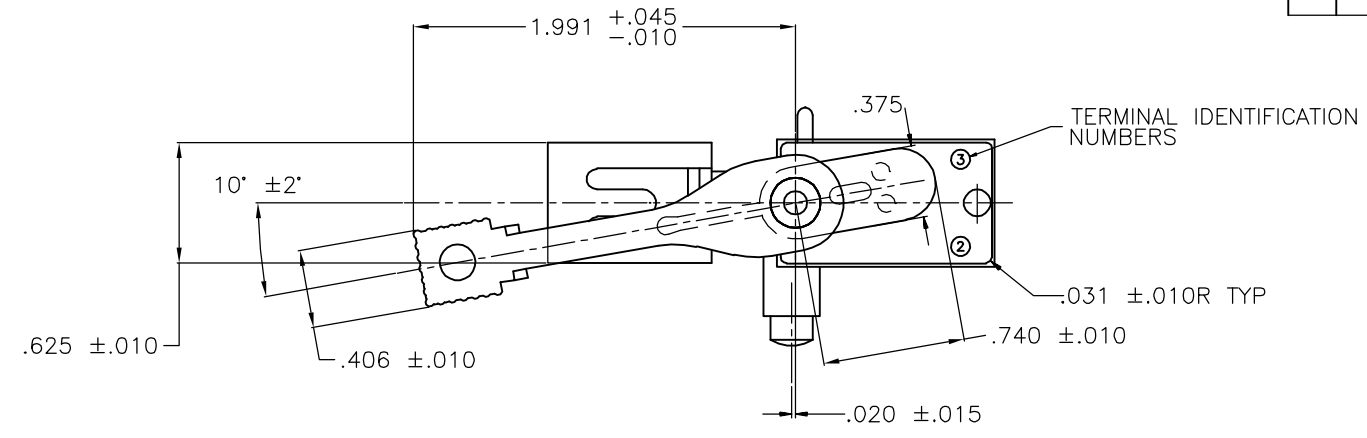
SIZE	CAGE CODE	DRAWING NO	RESTRICTED TO
A3	00779	C-1520076	-

1520076-1	8907K255	BLACK	BLACK
TYCO NO.	ARAB NO.	TRIGGER COLOR	REVERSING LEVER COLOR

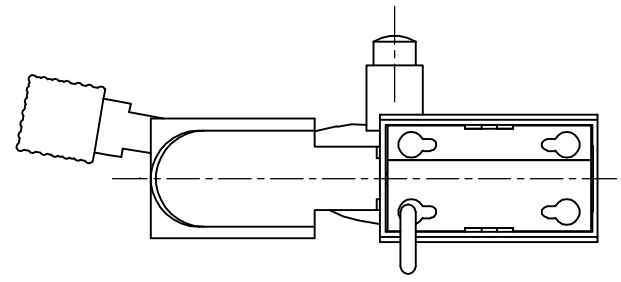
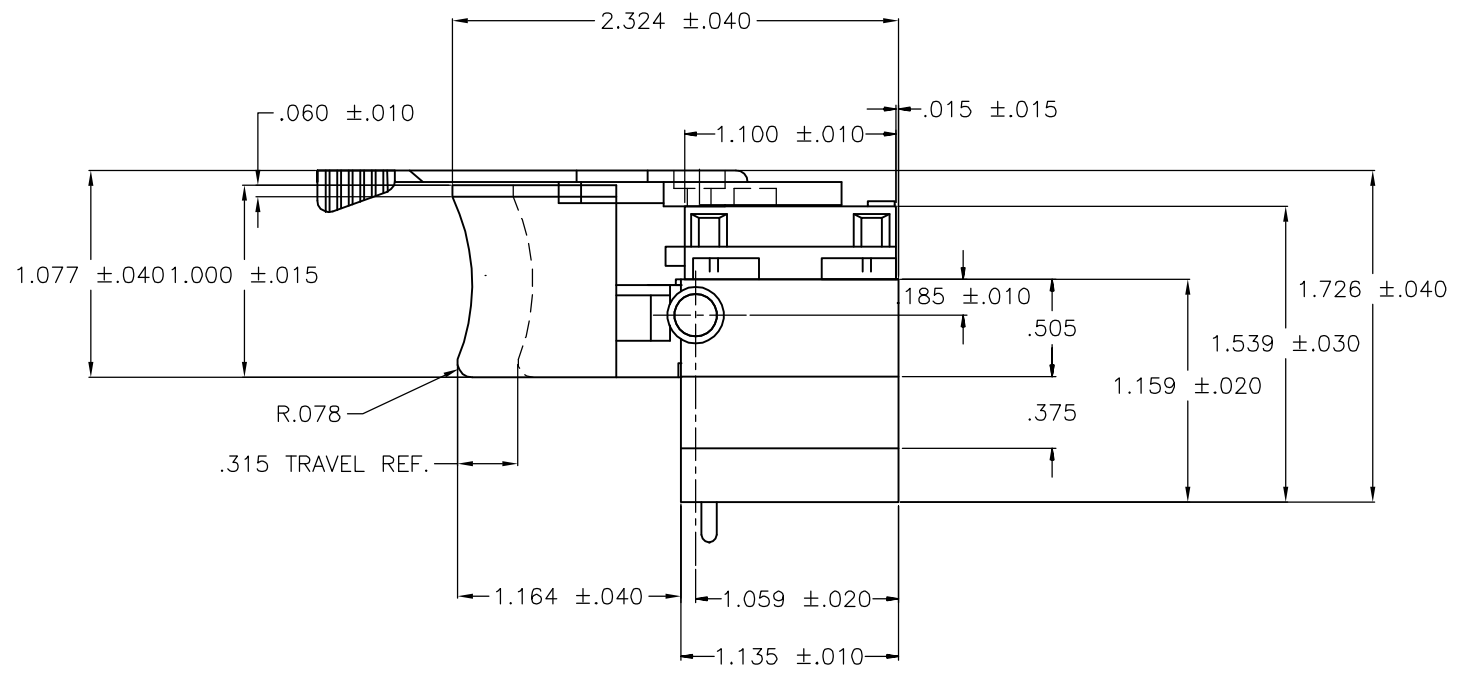
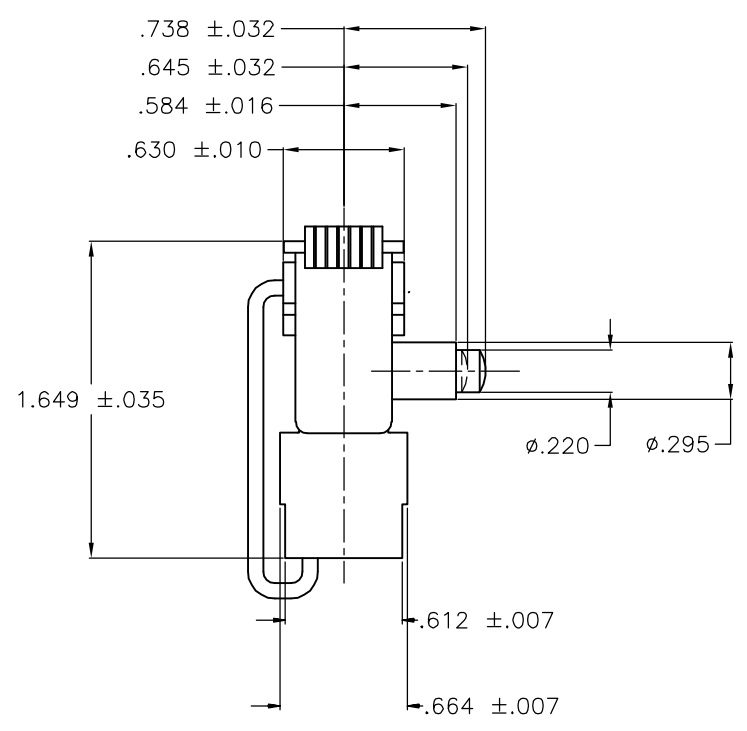
SCALE 1:1 SHEET 1 OF 10 REV B

THIS DRAWING IS UNPUBLISHED. RELEASED FOR PUBLICATION
 © COPYRIGHT BY TYCO ELECTRONICS CORPORATION. ALL RIGHTS RESERVED.

LOC	DIST	REVISIONS					
AD	00	P	LTR	DESCRIPTION	DATE	DWN	APVD
				SEE SHEET 1			



- PUSH-IN AND REVERSING SWITCH TERMINAL OPENINGS TO RECEIVE #18 OR #20 GA. STRANDED TINNED LEADS. PUSH-IN TERMINAL WIRE STRIPPED LENGTH TO BE .250 - .400. REVERSING SWITCH STRIPPED LENGTH TO BE .188 - .250.



91-869

THIS DRAWING IS A CONTROLLED DOCUMENT.		DWN C. DOBBS 14APR98	Tyco Electronics Corporation Harrisburg, Pa 17105-3608	
DIMENSIONS: INCHES		CHK W. Leonard 14APR98	NAME 8907 SERIES - INLINE SWITCH 6A 125 VAC DOUBLE POLE SINGLE THROW Z-SPRING / D-PAK CONSTRUCTION	
TOLERANCES UNLESS OTHERWISE SPECIFIED:		APVD J. HENDERSON 15APR98	PRODUCT SPEC APPLICATION SPEC	
0 PLC ± - 1 PLC ± - 2 PLC ± - 3 PLC ± .005 4 PLC ± - ANGLES ± 1'		WEIGHT -	SIZE A3	RESTRICTED TO -
MATERIAL -		CAGE CODE 00779		DRAWING NO C-1520076
CUSTOMER DRAWING			SCALE 1:1	SHEET 2 OF 10

1520076-2	8907K256	BLACK	BLACK	BLACK
TYCO NO.	ARAB NO.	TRIGGER COLOR	REVERSING LEVER COLOR	LOCK PIN COLOR

4

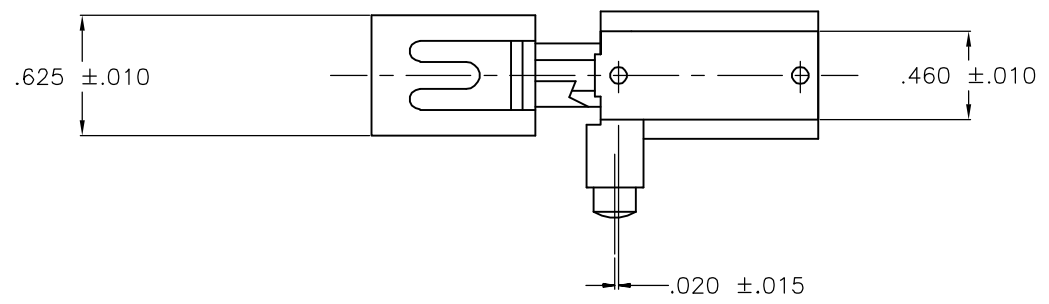
3

2

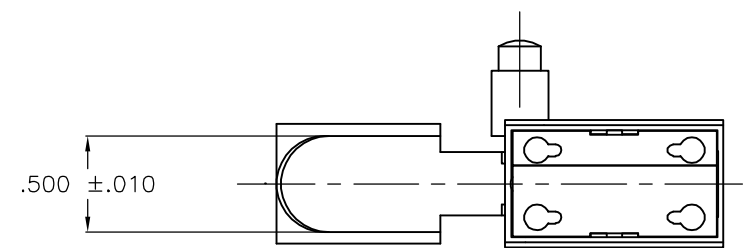
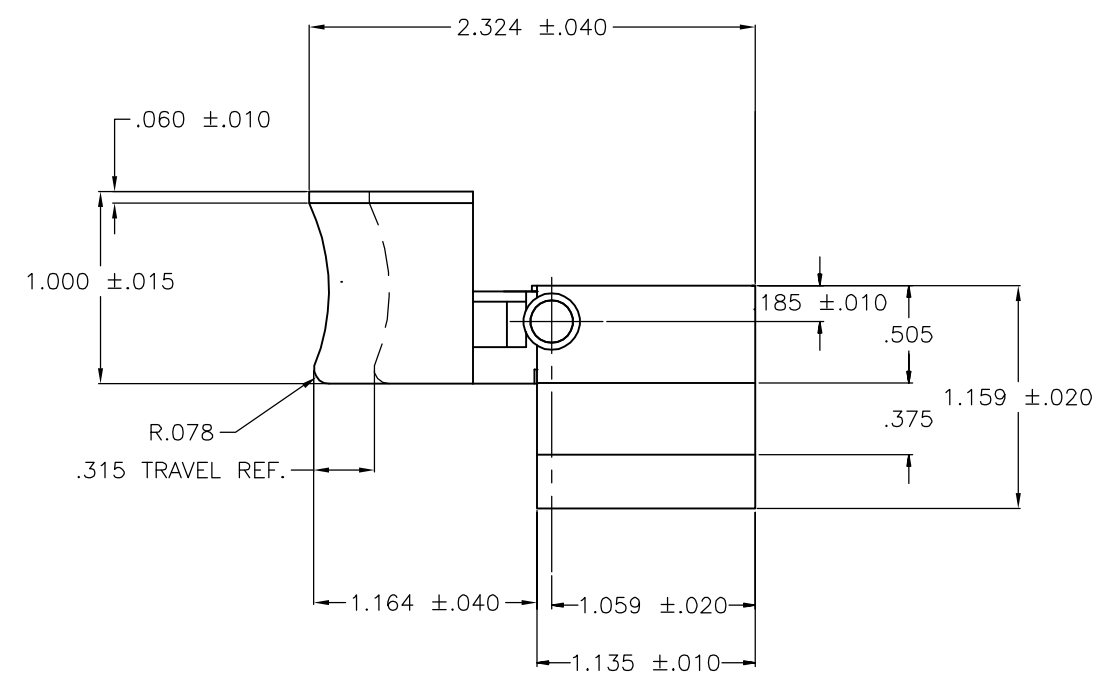
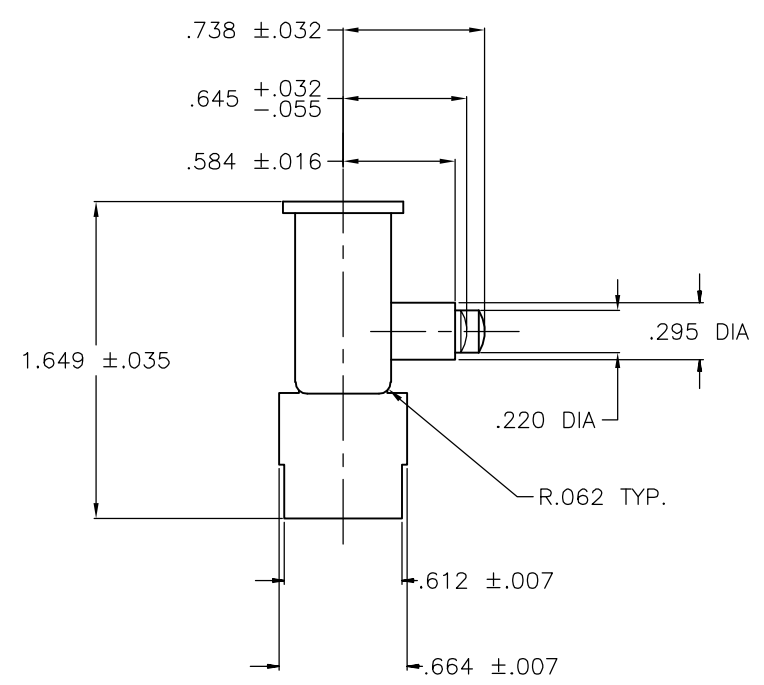
1

THIS DRAWING IS UNPUBLISHED. RELEASED FOR PUBLICATION
 © COPYRIGHT - BY TYCO ELECTRONICS CORPORATION. ALL RIGHTS RESERVED.

LOC	DIST	REVISIONS					
AD	00	P	LTR	DESCRIPTION	DATE	DWN	APVD
		-		SEE SHEET 1	-	-	-



1. PUSH-IN OPENINGS TO RECEIVE #18 OR #20 GA. STRANDED TINNED LEADS. PUSH-IN TERMINAL WIRE STRIPPED LENGTH TO BE .250 - .400.



91-867

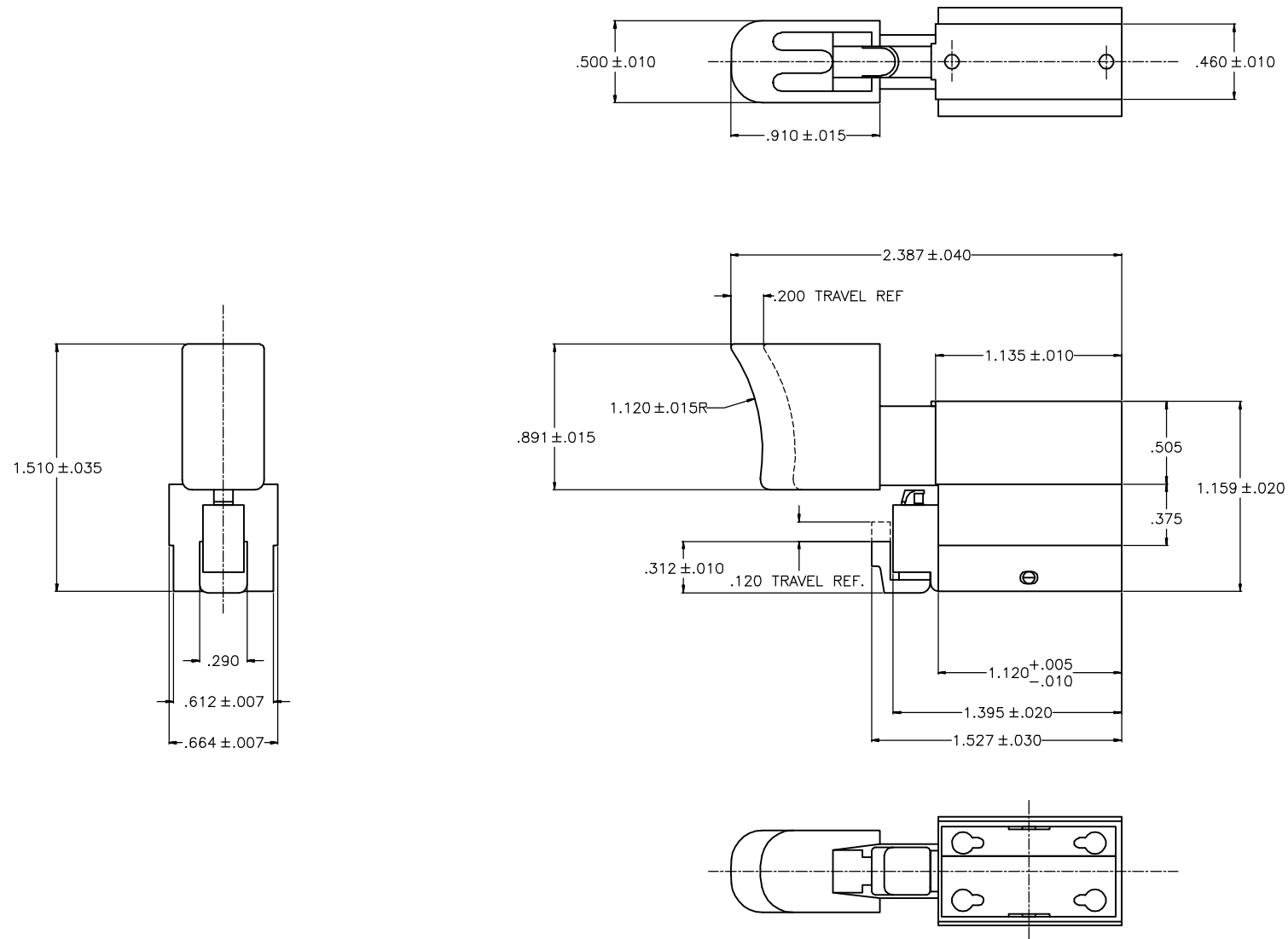
THIS DRAWING IS A CONTROLLED DOCUMENT.		DWN	C. DOBBS	14APR98	tyco Electronics	Tyco Electronics Corporation	
DIMENSIONS: INCHES		CHK	W. Leonard	14APR98		Harrisburg, Pa 17105-3608	
TOLERANCES UNLESS OTHERWISE SPECIFIED:		APVD	J. HENDERSON	15APR98		NAME	
0 PLC ± -		PRODUCT SPEC		8907 SERIES - INLINE SWITCH WITH DUMMY BUSHING			
1 PLC ± -		APPLICATION SPEC		6A 125VAC DOUBLE POLE SINGLE THROW			
2 PLC ± -		WEIGHT		Z-SPRING / D-PAK CONSTRUCTION			
3 PLC ± .005		CUSTOMER DRAWING		SIZE	A3	CAGE CODE	00779
4 PLC ± -		SCALE		DRAWING NO	C-1520076		RESTRICTED TO
ANGLES ± 1'		1:1		SHEET		3 OF 10	REV
FINISH		SHEET		REV		B	

1520076-3	8907K257	BLACK	BLACK
TYCO NO.	ARAB NO.	TRIGGER COLOR	LOCK PIN COLOR

THIS DRAWING IS UNPUBLISHED. RELEASED FOR PUBLICATION
 © COPYRIGHT BY TYCO ELECTRONICS CORPORATION. ALL RIGHTS RESERVED.

LOC	DIST	REVISIONS					
AD	00	P	LTR	DESCRIPTION	DATE	DWN	APVD
				SEE SHEET 1	-	-	-

- PUSH-IN AND REVERSING SWITCH TERMINAL OPENINGS TO RECEIVE #18 OR #20 GA. STRANDED TINNED LEADS. PUSH-IN TERMINAL WIRE STRIPPED LENGTH TO BE .250 - .400.



91-767

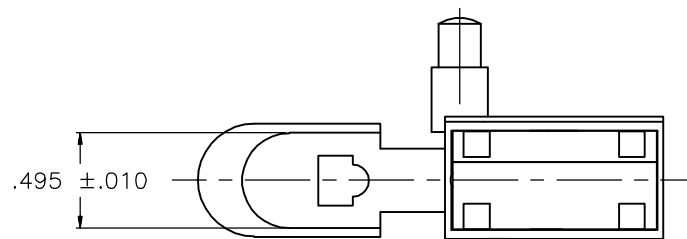
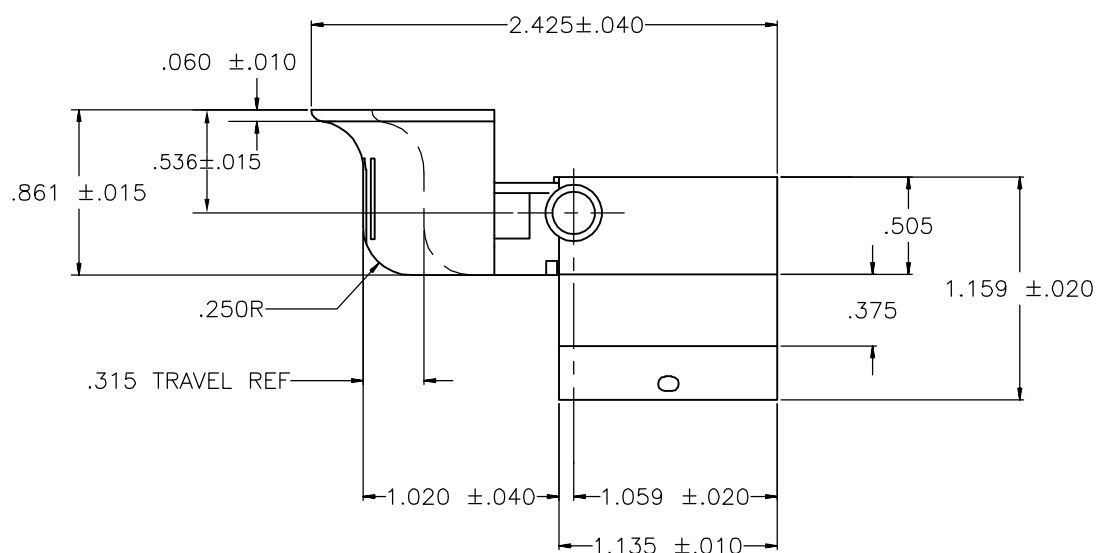
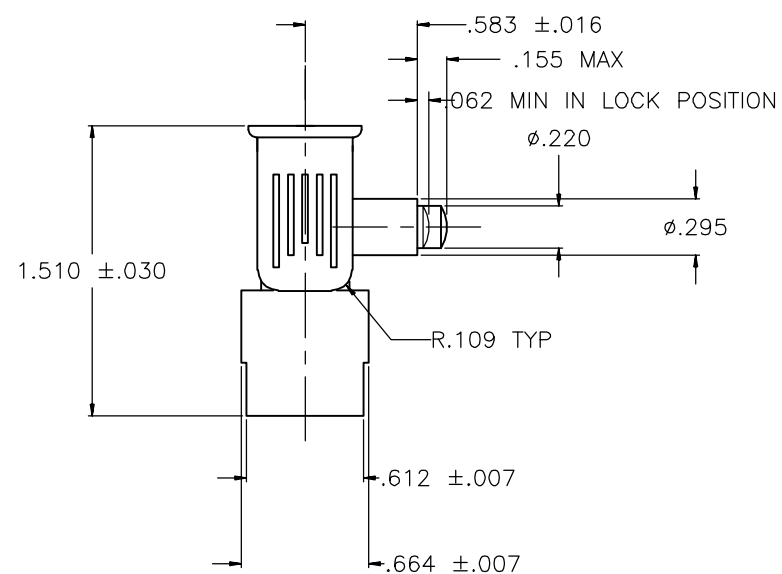
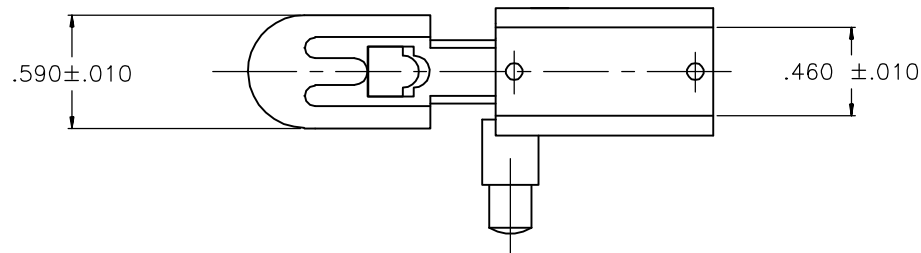
THIS DRAWING IS A CONTROLLED DOCUMENT.		DWN	W. HANSON	13NOV96	tyco Electronics	Tyco Electronics Corporation	
DIMENSIONS: INCHES		CHK	W. Leonard	15NOV96		Harrisburg, Pa 17105-3608	
TOLERANCES UNLESS OTHERWISE SPECIFIED:		APVD	M.R. DUMMER	15NOV96	NAME	8907 SERIES - INLINE SWITCH, 6A 125 VAC / 3A 250 VAC SPST WITH BUSSING SPEED CONTROL WITH Z-SPRING CONSTRUCTION	
0 PLC ± -		PRODUCT SPEC			SIZE	CAGE CODE	DRAWING NO
1 PLC ± -		APPLICATION SPEC			A300779		RESTRICTED TO
2 PLC ± -					C-1520076		
3 PLC ± .005					CUSTOMER DRAWING		SCALE 1:1
4 PLC ± -							SHEET 4 OF 10
ANGLES ± 1'							REV B
FINISH		WEIGHT					
-							

1520076-4	8907K260	RED	BLACK
TYCO NO.	ARAB NO.	TRIGGER COLOR	LOCK PIN COLOR

THIS DRAWING IS UNPUBLISHED. RELEASED FOR PUBLICATION
 © COPYRIGHT - BY TYCO ELECTRONICS CORPORATION. ALL RIGHTS RESERVED.

LOC	DIST	REVISIONS					
AD	00	P	LTR	DESCRIPTION	DATE	DWN	APVD
		-		SEE SHEET 1	-	-	-

- PUSH-IN TERMINAL OPENINGS TO RECEIVE #18 OR #20 GA. STRANDED TINNED LEADS. PUSH-IN TERMINAL WIRE STRIPPED LENGTH TO BE .250 - .400.



90-11436

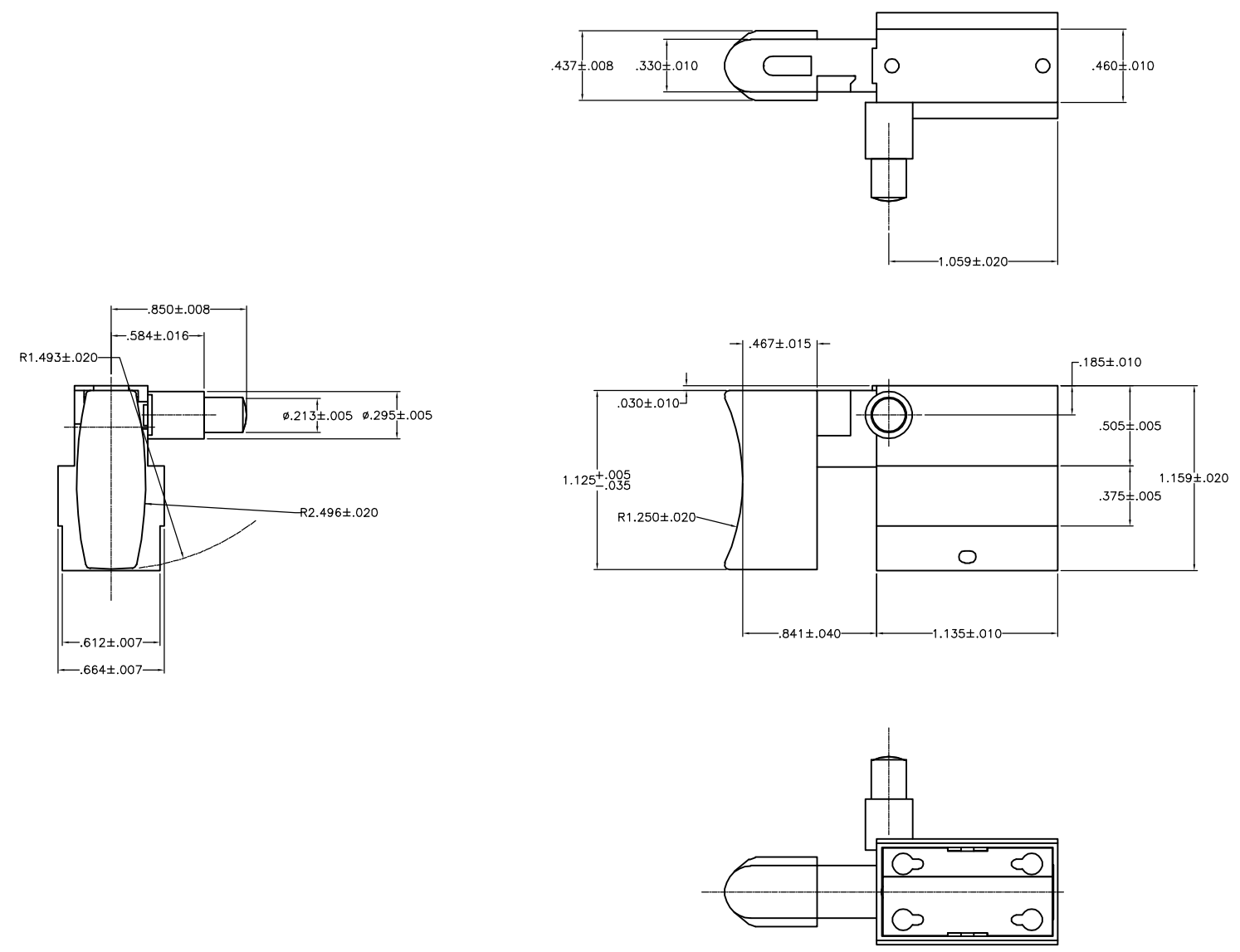
THIS DRAWING IS A CONTROLLED DOCUMENT.		DWN C. MARDIS	20JUL82	tyco Electronics	Tyco Electronics Corporation Harrisburg, Pa 17105-3608		
DIMENSIONS: INCHES		CHK K. COLLINS	22JUL82		NAME 8907 SERIES - INLINE SWITCH 4A 125VAC DPST DISCRETE COMPONENT CONSTRUCTION		
TOLERANCES UNLESS OTHERWISE SPECIFIED:		APVD B. NEWLAND	23SEP82	PRODUCT SPEC			
0 PLC ± -		APPLICATION SPEC		SIZE			
1 PLC ± -		-		CAGE CODE		DRAWING NO	
2 PLC ± -		-		A300779		C-1520076	
3 PLC ± .005		-		RESTRICTED TO			
4 PLC ± -		-		-			
ANGLES ± 1'		-		CUSTOMER DRAWING			
MATERIAL		FINISH		SCALE		SHEET	
-		-		1:1		5 OF 10	
				REV		B	

1520076-5	8907K269	RED	RED	OBSOLETE
TYCO NO.	ARAB NO.	TRIGGER COLOR	LOCK PIN COLOR	

THIS DRAWING IS UNPUBLISHED. RELEASED FOR PUBLICATION
 © COPYRIGHT - BY TYCO ELECTRONICS CORPORATION. ALL RIGHTS RESERVED.

LOC	DIST	REVISIONS			
P	LTR	DESCRIPTION	DATE	DWN	APVD
		SEE SHEET 1	-	-	-

1. PUSH-IN TERMINAL OPENINGS TO RECEIVE #18 OR #20 GA. STRANDED TINNED LEADS. PUSH-IN TERMINAL WIRE STRIPPED LENGTH TO BE .250 - .400.



91-889

THIS DRAWING IS A CONTROLLED DOCUMENT.		DWN W. Leonard	08AUG98	Tyco Electronics Corporation Harrisburg, Pa 17105-3608	
DIMENSIONS: INCHES		CHK W. HANSON	14OCT98		
TOLERANCES UNLESS OTHERWISE SPECIFIED:		APVD J. HENDERSON	14OCT98	NAME 8907 SERIES - INLINE SWITCH, 4A 125 VAC DOUBLE POLE SINGLE THROW WITH Z-SPRING CONSTRUCTION	
0 PLC ± - 1 PLC ± - 2 PLC ± - 3 PLC ± .005 4 PLC ± - ANGLES ± 1°		PRODUCT SPEC -		RESTRICTED TO -	
MATERIAL -		FINISH -		APPLICATION SPEC - WEIGHT - SIZE A3 CAGE CODE 00779 DRAWING NO C-1520076	
CUSTOMER DRAWING				SCALE 1:1	SHEET 6 OF 10

1520076-6	8907K270	BLACK	BLACK
TYCO NO.	ARAB NO.	TRIGGER COLOR	LOCK PIN COLOR

THIS DRAWING IS UNPUBLISHED.

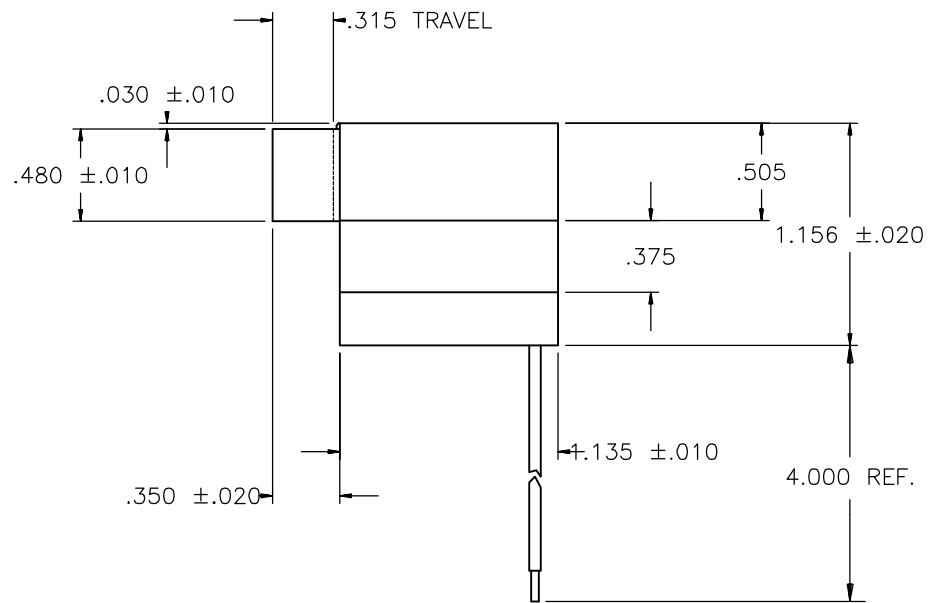
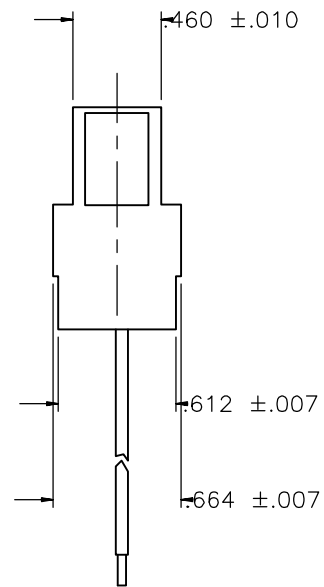
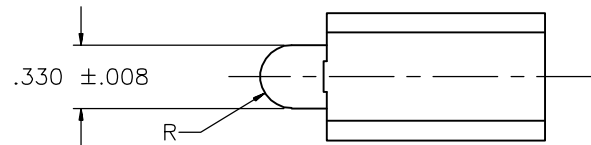
RELEASED FOR PUBLICATION

© COPYRIGHT - BY TYCO ELECTRONICS CORPORATION. ALL RIGHTS RESERVED.

LOC AD DIST 00

REVISIONS

P	LTR	DESCRIPTION	DATE	DWN	APVD
-	-	SEE SHEET 1	-	-	-



90-11665

THIS DRAWING IS A CONTROLLED DOCUMENT.		DWN C. MARDIS 16JUN83	Tyco Electronics Corporation Harrisburg, Pa 17105-3608		
DIMENSIONS: INCHES		CHK C. MARDIS 16JUN83			
TOLERANCES UNLESS OTHERWISE SPECIFIED:		APVD J. SMITH 16JUN83	NAME 8907 SERIES - INLINE SWITCH, PEDDLE SWITCH 6A 125 VAC DOUBLE POLE SINGLE THROW WITH DISCRETE COMPONENT CONSTRUCTION		
0 PLC ± - 1 PLC ± - 2 PLC ± - 3 PLC ± .005 4 PLC ± - ANGLES ± 1'		PRODUCT SPEC -	SIZE A3	CAGE CODE 00779	DRAWING NO C-1520076
MATERIAL -		FINISH -	WEIGHT -	RESTRICTED TO -	
CUSTOMER DRAWING			SCALE 1:1	SHEET 7 OF 10	REV B

1520076-7	8907K275	BLACK
TYCO NO.	ARAB NO.	TRIGGER COLOR

THIS DRAWING IS UNPUBLISHED.

RELEASED FOR PUBLICATION

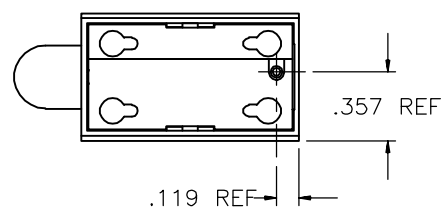
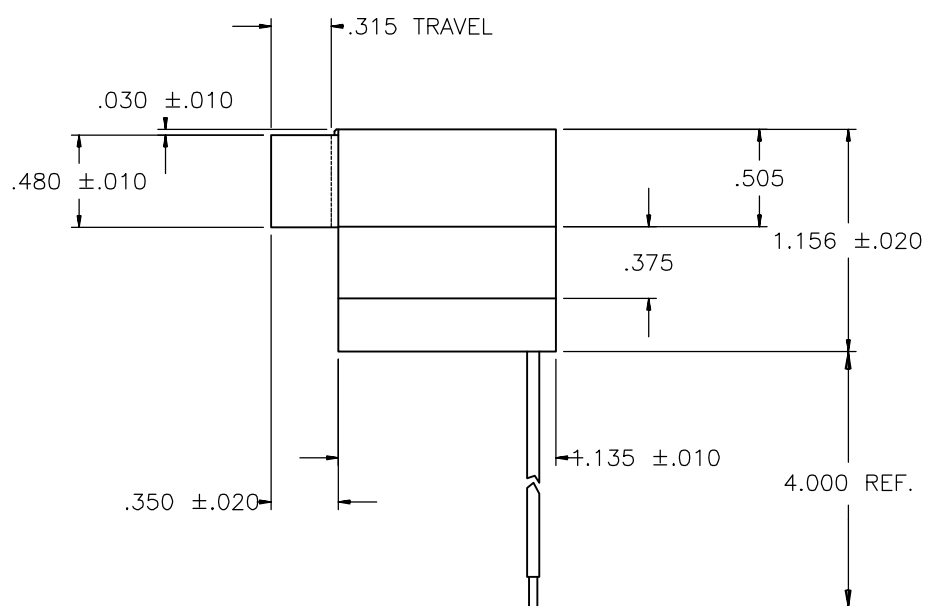
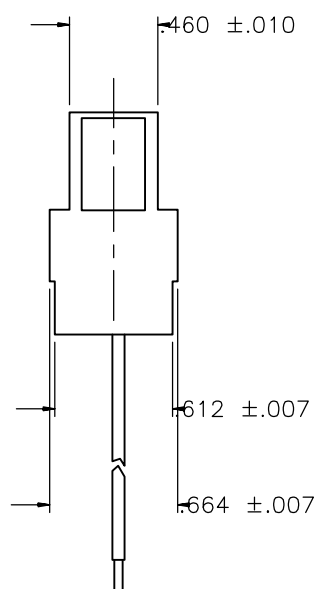
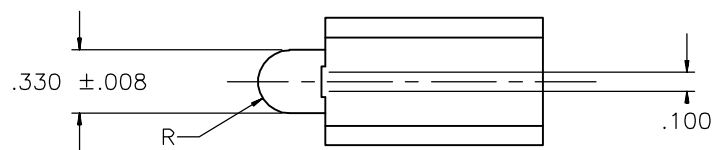
© COPYRIGHT - BY TYCO ELECTRONICS CORPORATION. ALL RIGHTS RESERVED.

LOC AD DIST 00

REVISIONS

P	LTR	DESCRIPTION	DATE	DWN	APVD
-	-	SEE SHEET 1	-	-	-

- PUSH-IN TERMINAL OPENINGS TO RECEIVE #18 OR #20 GA. STRANDED TINNED LEADS. PUSH-IN TERMINAL WIRE STRIPPED LENGTH TO BE .250 - .400.



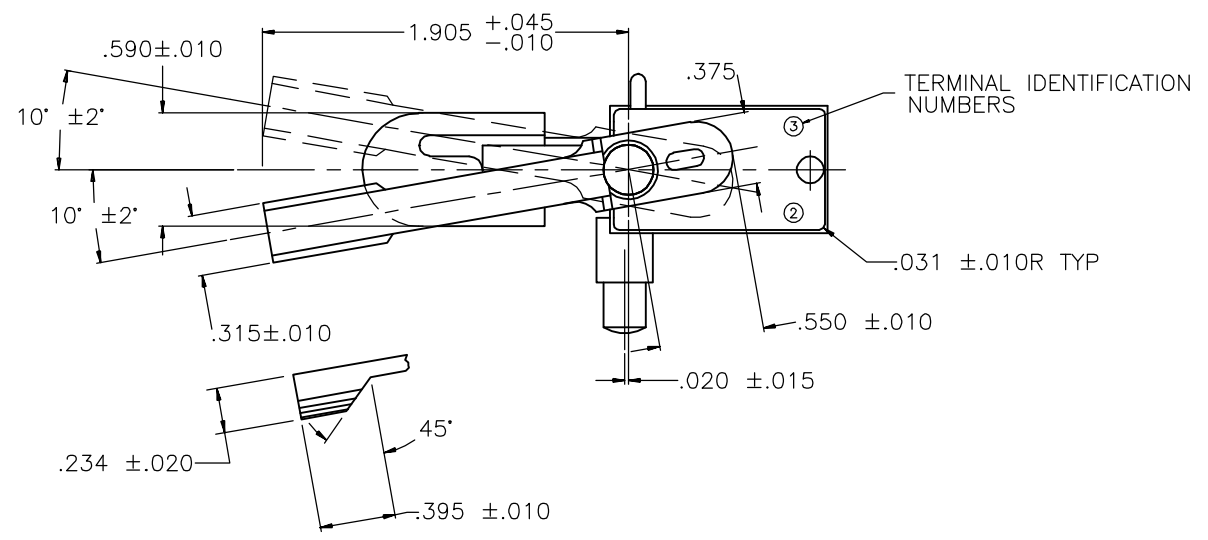
91-658

THIS DRAWING IS A CONTROLLED DOCUMENT.		DWN W. Leonard	20MAY96	Tyco Electronics Corporation Harrisburg, Pa 17105-3608	
DIMENSIONS: INCHES		CHK W. HANSON	21MAY96		
TOLERANCES UNLESS OTHERWISE SPECIFIED:		APVD F. CLICK	22MAY96	NAME 8907 SERIES - INLINE SWITCH, PEDDLE SWITCH	
0 PLC ± - 1 PLC ± - 2 PLC ± - 3 PLC ± .005 4 PLC ± - ANGLES ± 1'		PRODUCT SPEC		6A 125 VAC DPST WITH RFI LEAD, Z-SPRING WITH DISCRETE COMPONENT CONSTRUCTION	
MATERIAL		APPLICATION SPEC		SIZE	RESTRICTED TO
FINISH		WEIGHT		CAGE CODE	DRAWING NO
-		-		A300779	C-1520076
CUSTOMER DRAWING				SCALE	1:1
				SHEET	8 OF 10
				REV	B

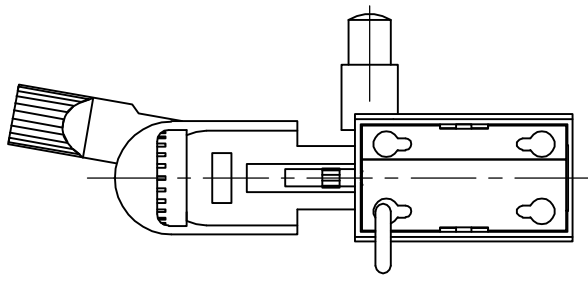
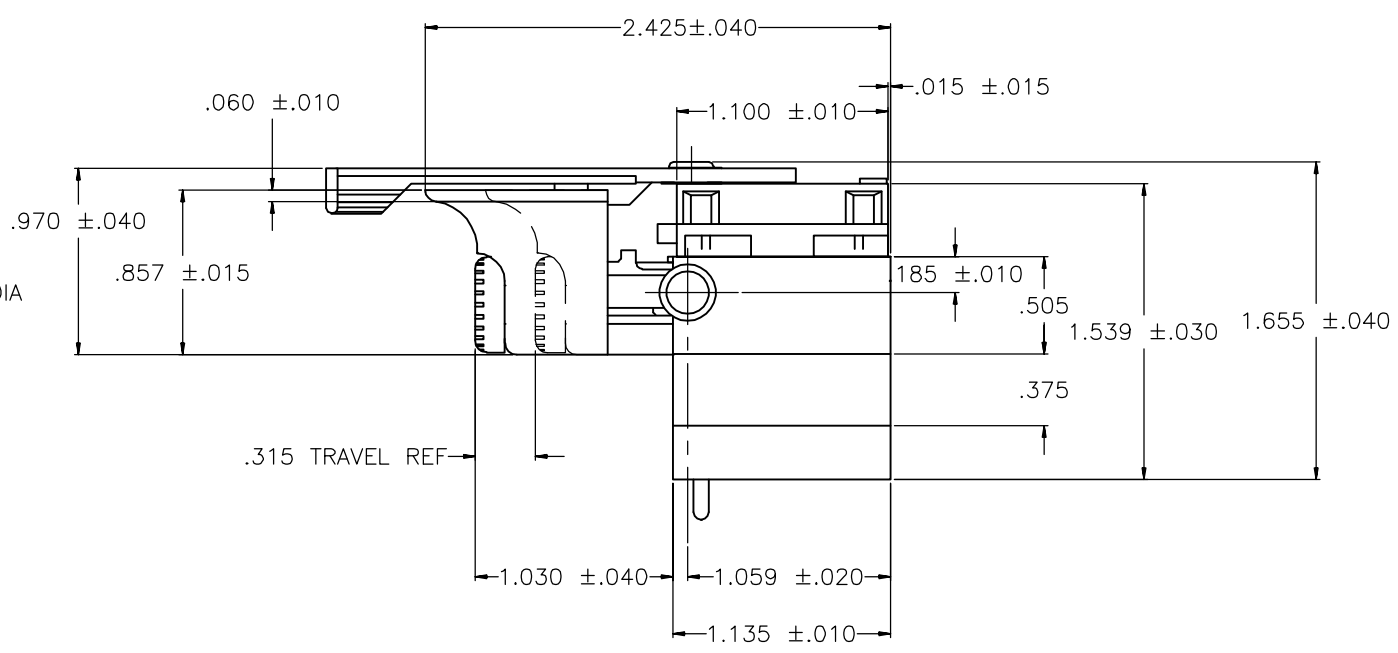
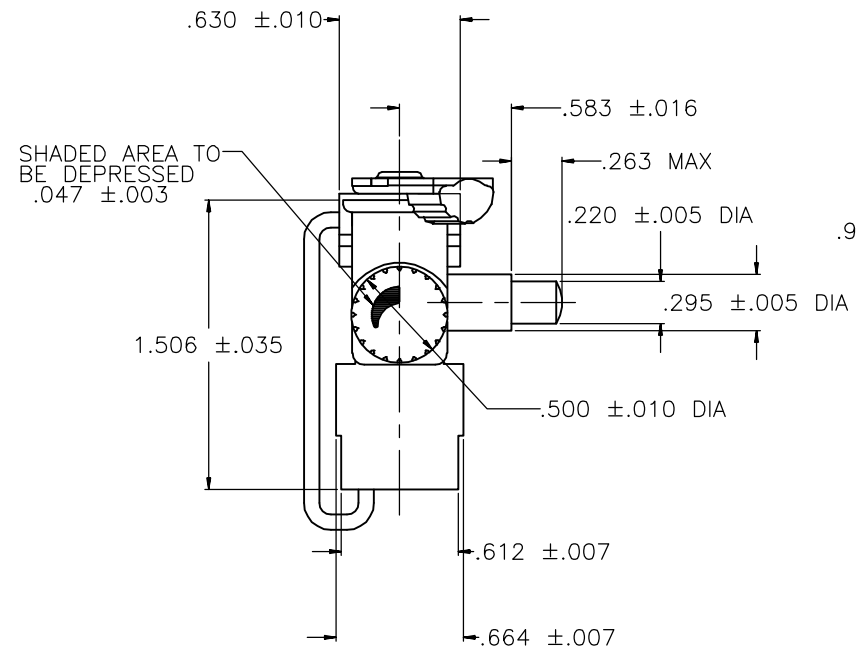
1520076-8	8907K278	BLACK
TYCO NO.	ARAB NO.	TRIGGER COLOR

THIS DRAWING IS UNPUBLISHED. RELEASED FOR PUBLICATION
 © COPYRIGHT BY TYCO ELECTRONICS CORPORATION. ALL RIGHTS RESERVED.

LOC	DIST	REVISIONS					
AD	00	P	LTR	DESCRIPTION	DATE	DWN	APVD
		-		SEE SHEET 1	-	-	-



1. PUSH-IN AND REVERSING SWITCH TERMINAL OPENINGS TO RECEIVE #18 OR #20 GA. STRANDED TINNED LEADS. PUSH-IN TERMINAL WIRE STRIPPED LENGTH TO BE .250 - .400. REVERSING SWITCH STRIPPED LENGTH TO BE .188 - .250.

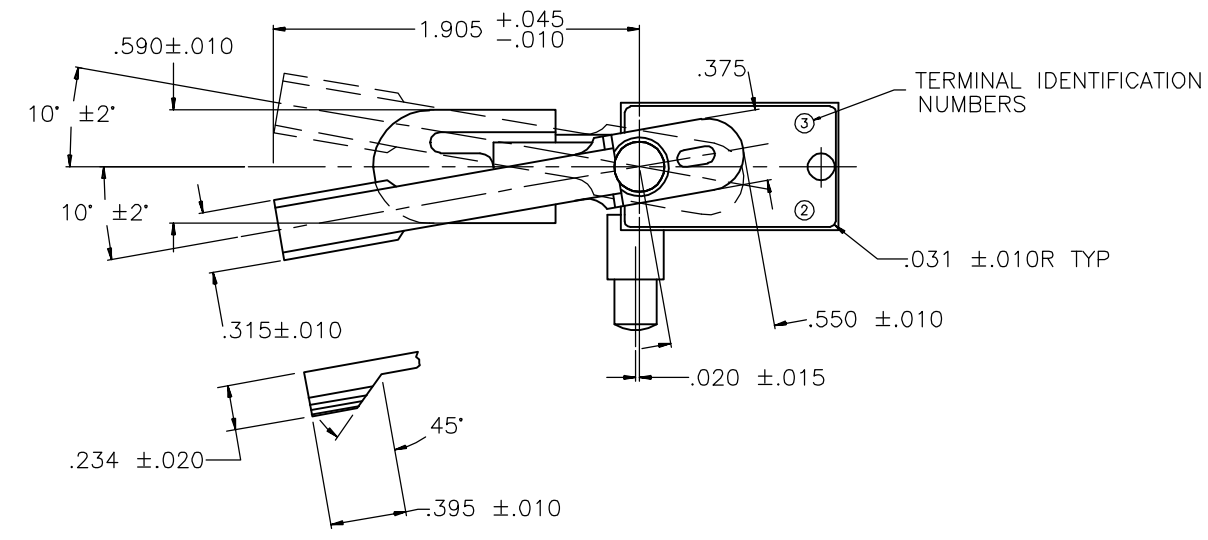


91-869

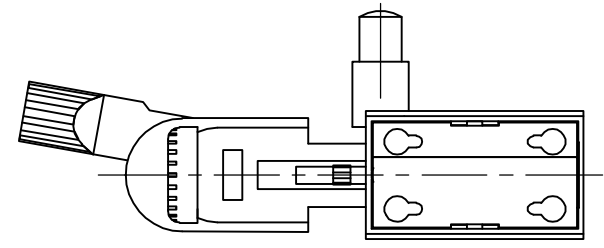
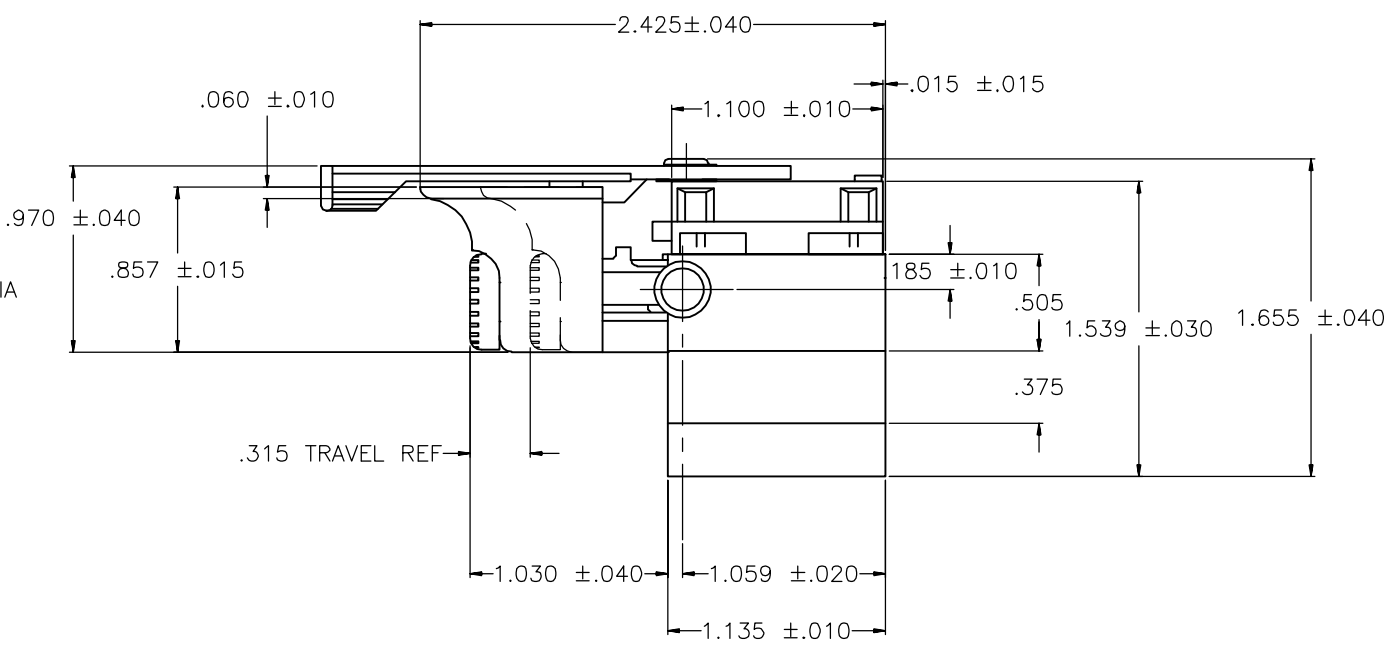
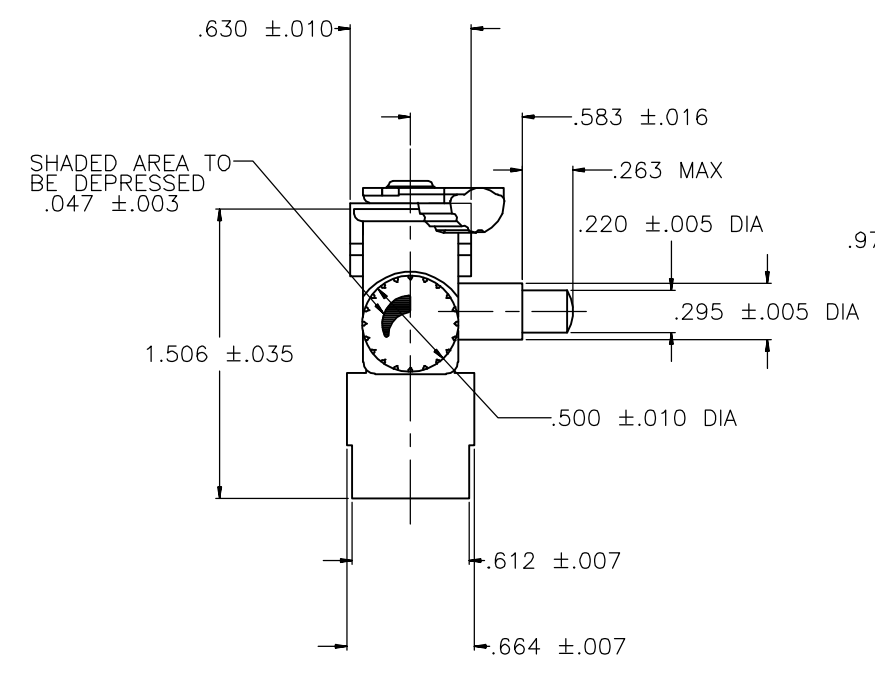
THIS DRAWING IS A CONTROLLED DOCUMENT.		DWN W. HANSON 12NOV96	Tyco Electronics Corporation Harrisburg, Pa 17105-3608	
DIMENSIONS: INCHES		CHK W. Leonard 12NOV96		
TOLERANCES UNLESS OTHERWISE SPECIFIED:		APVD M.R. DUMMER 12NOV96	NAME 8907 SERIES - INLINE SWITCH 4A 125 VAC SPST WITH BUSSING SPEED CONTROL Z-SPRING / D-PAK CONSTRUCTION	
0 PLC ± - 1 PLC ± - 2 PLC ± - 3 PLC ± .005 4 PLC ± - ANGLES ± 1'		PRODUCT SPEC -	SIZE A3	CAGE CODE 00779
MATERIAL -		FINISH -	DRAWING NO C-1520076	RESTRICTED TO -
1-1520076-0		TYCO NO.		8907K295
ARAB NO.		TRIGGER COLOR		BLACK
REVERSING LEVER COLOR		SPEED WHEEL COLOR		BLACK
LOCK PIN COLOR		SCALE		1:1
CUSTOMER DRAWING		SHEET		9 OF 10
		REV		B

THIS DRAWING IS UNPUBLISHED. RELEASED FOR PUBLICATION
 © COPYRIGHT BY TYCO ELECTRONICS CORPORATION. ALL RIGHTS RESERVED.

LOC	DIST	REVISIONS					
AD	00	P	LTR	DESCRIPTION	DATE	DWN	APVD
		-		SEE SHEET 1	-	-	-



1. PUSH-IN AND REVERSING SWITCH TERMINAL OPENINGS TO RECEIVE #18 OR #20 GA. STRANDED TINNED LEADS. PUSH-IN TERMINAL WIRE STRIPPED LENGTH TO BE .250 - .400. REVERSING SWITCH STRIPPED LENGTH TO BE .188 - .250.



THIS DRAWING IS A CONTROLLED DOCUMENT.		DWN W. LeonarD 14APR98	Tyco Electronics Corporation Harrisburg, Pa 17105-3608	
DIMENSIONS: INCHES		CHK W. LeonarD	NAME	
		APVD W. HANSON	8907 SERIES - INLINE SWITCH	
TOLERANCES UNLESS OTHERWISE SPECIFIED:		PRODUCT SPEC	6A 125 VAC SPST WITH BUSSING SPEED CONTROL	
0 PLC ± -		APPLICATION SPEC	Z-SPRING WITH DISCRETE COMPONENT CONSTRUCTION	
1 PLC ± -		SIZE	CAGE CODE	DRAWING NO
2 PLC ± -		A300779		RESTRICTED TO
3 PLC ± .005		C-1520076		-
4 PLC ± -		CUSTOMER DRAWING		
ANGLES ± 1'		SCALE 1:1		
MATERIAL -		SHEET 10 OF 10		
FINISH -		REV B		

1520076-9	8907K292	BLACK	BLACK	BLACK	RED
TYCO NO.	ARAB NO.	TRIGGER COLOR	REVERSING LEVER COLOR	SPEED WHEEL COLOR	LOCK PIN COLOR